



FOOD PREP TABLE REFRIGERATOR

Los Angeles Office 2460 Peck Road, City of Industry, CA 90601 (562) 568-4060 www.dukersusa.com
New Jersey Office 4475 S Clinton Ave South Plainfield, NJ 07080 (215) 808-8239 Info@dukerusa.com

MODEL: DPP90-12-S3

Features and Benefits

- * Higher Resistance to Dust , high quality condenser
- * R290 Natural Refrigerant, promotes faster cool down and efficient energy consumption
- * 3-year parts and labor, 5-year compressor warranty
- * Stainless steel inside and outside, sealed interior floors and rounder cabinet corners for easy cleaning
- * Self-closing doors with stay open feature.
- * Adjustable, heavy duty shelves



Technical Specifications

Voltage/Frequency	115V 60Hz
Refrigerant	R290
Type of Defrost	Automatic
Exterior Finish	Stainless steel
Interior Finish	Stainless steel
Net Weight	423lbs
Total Capacity	24.89 cu ft
Total Current	8.5A
Climatic Category	4/5
Nema Config.	5-15P



MODEL NO	TEMPERATURE RANGE (° F)	EXTERNAL DIMENSION W X D X H (INCHES)	PACKING,CARTON W X D X H (INCHES)	DOOR	40GP CONTAINER CERTIFICATION
DPP90-12-S3	33°- 41° F	90¼" X 31½" X 43¼"	91¾" X 33¾" X 47¼"	3	28

FOOD PREP TABLE REFRIGERATOR

MODEL: DPP90

Model:	DPP90
Rated Voltage:	115V AC
Rated Frequency:	60Hz
Total Input Power:	620W
Total Current:	8.5A
Total Capacity:	24.89cu ft
Refrigerant:	R290/4.93oz
Climatic Category:	4/5
Protection Type	I
Design pressure	High Side :300PSIG Low Side:150PSIG
Insulation Blowing Gas	C-pentane
Net Weight:	423 lbs
NEMA Cofig.	5-15P
1/3 Pan Count	12

STANDARD FEATURES

SIDE MOUNT COMPRESSOR

The side mount compressor structure is placed in the coolest possible area, provides quick and easy service

HIGH QUALITY STEEL

Interior and exterior high quality steel minimizes dents, scratches and rust

HIGH DENSITY POLYURETHANE INSULATION CFC

free and high density cell foam is Eco-friendly and more energy efficient

STURDY, CLEAN STAINLESS SHELVING

High quality coated stainless shelves may prevent peel and rust.

SELF-CLOSING DOOR SYSTEM

Door Automatically close at 60°

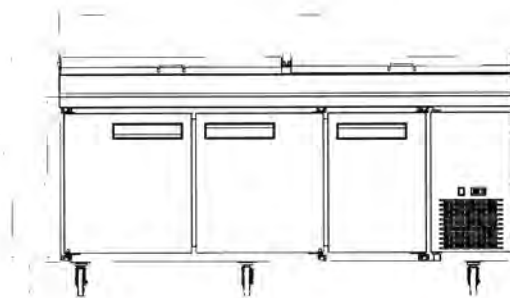
REFRIGERATORS HOLDS 33°- 41° F FOR BEST IN REFRIGERATORS



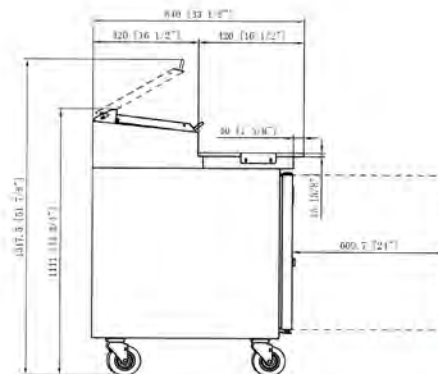
NEMA 5-15P
115/60/1

PLAN VIEW

FRONT VIEW



SIDE VIEW



AQ AutoQuotes

 **Dukers**[®]
www.dukersusa.com

New Jersey Office
4475 S. Clinton Ave,
South Plainfield, NJ 07080
(215) 808-8239
Info@dukersusa.com

Los Angeles Office
2460 Peck Road,
City of Industry, CA 90601
(562) 568-4060
Info@dukersusa.com